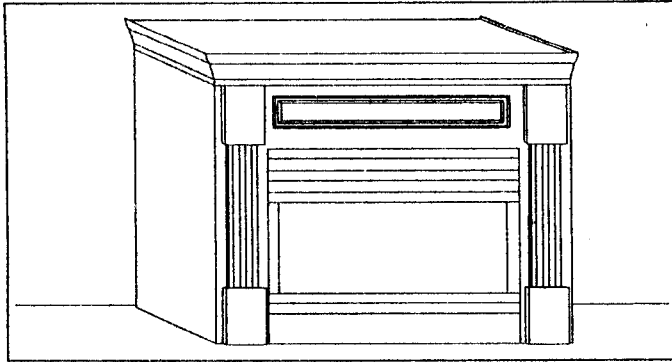


PREMIER MANTLES INC.

CABINET MANTLE ASSEMBLY INSTRUCTIONS



Each Mantle is carefully handcrafted one at a time by an experienced carpenter using only the finest materials available. Since wood is a product of nature, the color of the wood will vary from part to part. While we go to great lengths to try and match the color of each part as closely as possible, sometimes there will be color variations in some parts. Don't despair – just remember that the beauty of wood is in the fact that it is natural not all trees have the exact same color.

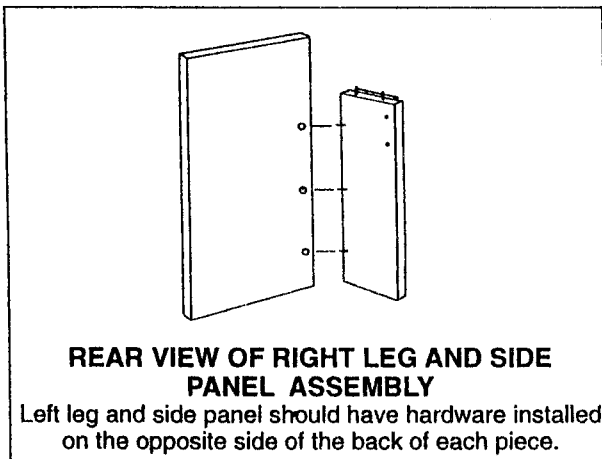
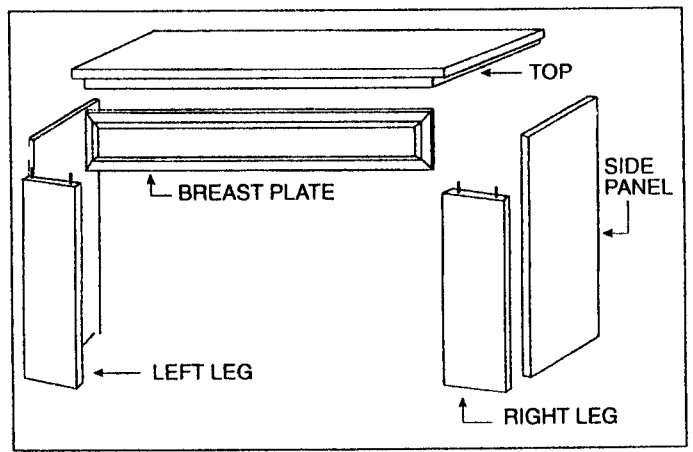
IMPORTANT

- READ INSTRUCTIONS COMPLETELY BEFORE STARTING.
- IT IS RECOMMENDED THAT YOU CONSULT A PROFESSIONAL WHEN PAINTING OR STAINING.
- DUE TO THE PROPERTIES OF WOOD, THE MANUFACTURER CANNOT BE RESPONSIBLE FOR THE QUALITY OF FINISH RESULTING FROM HOME STAINING.

TOOLS NEEDED:

STRAIGHT SCREWDRIVER
PHILLIPS SCREWDRIVER
ELECTRIC SCREWDRIVER
TAPE MEASURE

THREE (3) MOUNTING BOARDS; 2 x 4 4' LONG RECOMMENDED
FINISHING NAILS

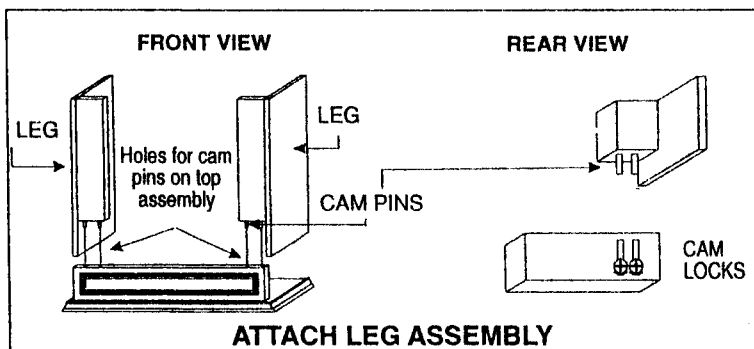
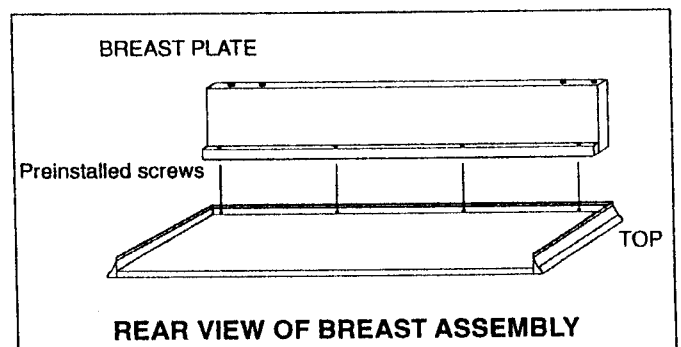


STEP 1: ASSEMBLE LEGS AND SIDE PANELS

- Carefully unpack the mantle from the box and inspect mantle for damage that may have occurred during shipment. If you find damage immediately report the damage to your Premier Mantles Dealer.
- PLEASE NOTE: In some cases, the side panel may already be attached. If so, go to Step 2.
- Connect the side panels to the legs by inserting the leg pins into the side panel holes as shown in the figure at left.
- Rotate cams 1/2 turn clockwise with a screwdriver to lock in place.
- Set leg assemblies to one side.

STEP 2: BREAST ASSEMBLY

- Set the mantle shelf (top) on the floor with the top down.
- Take the breast plate and place it in position on top of the shelf, lining up the preinstalled screws on the breast plate with the predrilled holes in the top. (See figure to the right.)
- Tighten the screws to attach the breast plate to the top.

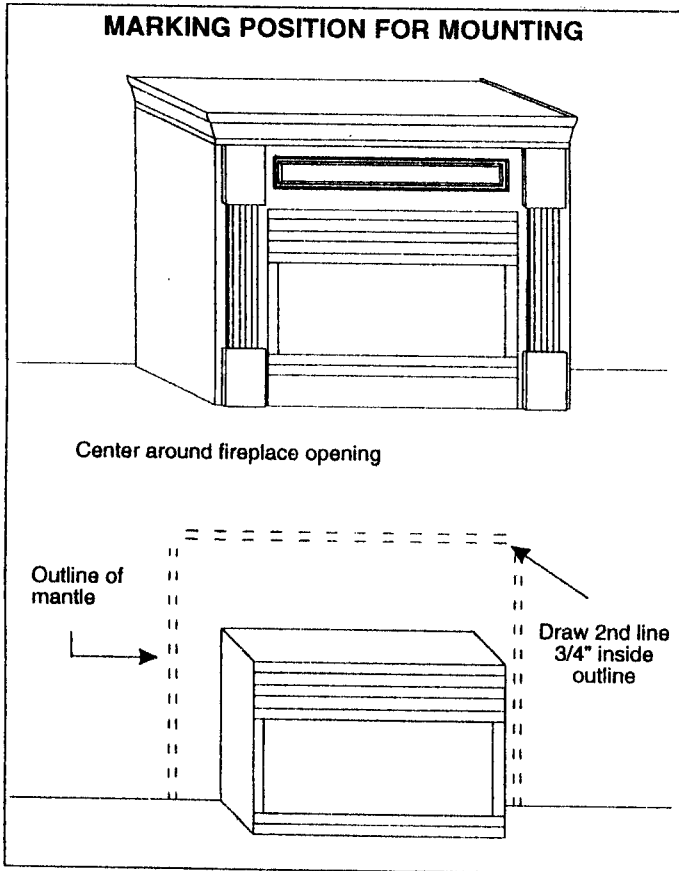
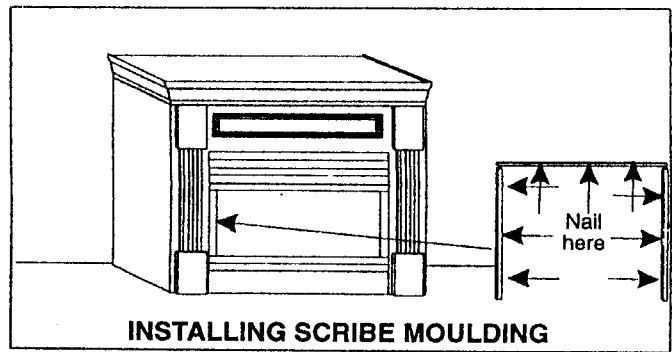


STEP 3: ATTACH LEG ASSEMBLY

- Insert the leg pins into the top assembly holes as shown.
- Twist cam locks with a screwdriver to tighten legs to breast.

STEP 4: INSTALL SCRIBE MOULDING

- If you are going to use the scribe moulding around the mantle opening, attach it at this time. The rounded edge of the scribe moulding should be flush with the outside edge of the mantle opening.
- Put the scribe moulding into position and nail scribe moulding to the mantle leg.
- *Helpful Hint: Drill pilot holes in each scribe piece for nail positions. See figure.*

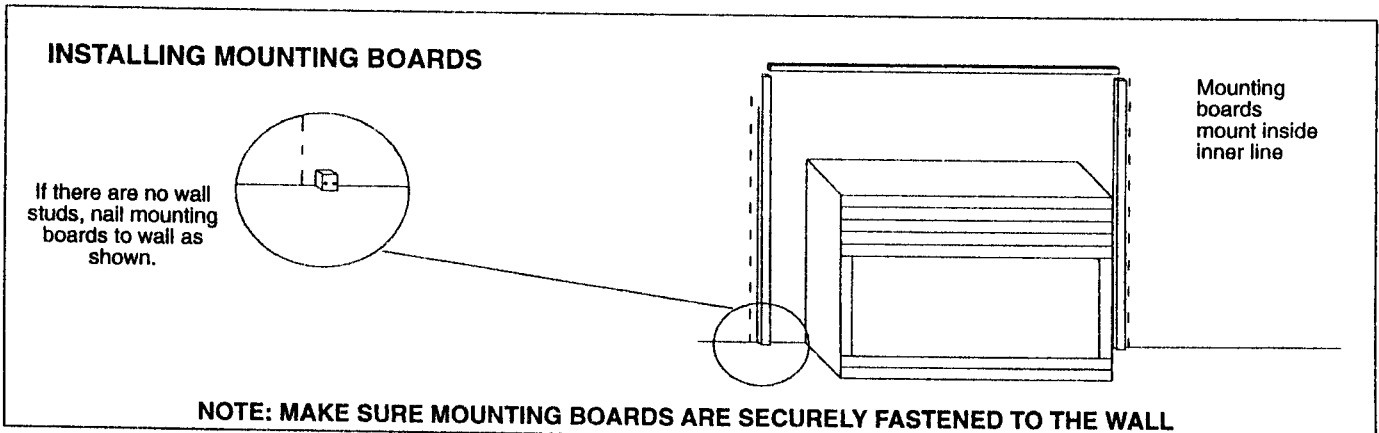


STEP 5: MARK POSITION FOR MOUNTING

- After attaching leg assemblies to top assembly, turn mantle over and place in position around the fireplace opening.
- Push the cabinet mantle assembly firmly against the wall, with the firebox centered in the opening of the cabinet. (It may be necessary that you slightly adjust the positioning of the fireplace. The fireplace face should be pulled forward to the point that it is flush with the front "flat" surface of the leg.)
- **Make Sure** the side panels are pulled firmly toward the outside of the cabinet. There should not be a space between the crown mold under the shelf and the side panel.
- Center the mantle and then draw the outline of the mantle top and sides on the wall.
- Remove the mantle and make a second set of straight, level lines 3/4" inside the mantle outline. These lines are the location of the outside edge of the mounting boards. *****Mounting boards are not included with the mantle.***** See figure. You can use 1 x 2's, 1 x 4's, or 2 x 4's, for your mounting boards. However, 2 x 4's give the best nailing surface. The top mounting board should be one foot shorter than the length of the shelf.

STEP 6: INSTALL MOUNTING BOARDS

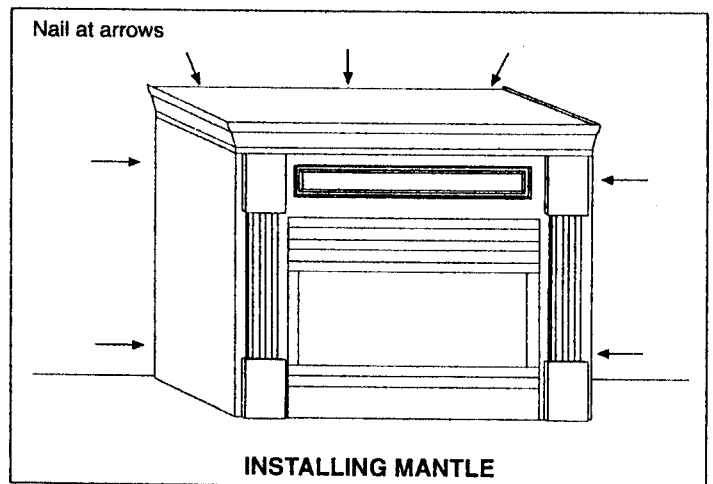
- After marking positions on the wall, place the mounting boards so that the top edge of the top mounting board, and the outside edge of the side mounting boards, are on the inside edge of the second line that was drawn. (See figure.)



- Secure the mounting boards to the wall by nailing or screwing through the mounting boards into the wall studs.
- For the side mounting boards, if you are not lined up on a wall stud, cut the mounting board down to a small block, and secure block by nailing into the floor sill which is located at the bottom of the wall.

STEP 7: INSTALL MANTLE

- Once the mounting boards are properly secured to the wall, you are ready to install your mantle. You may wish to paint or stain the mantle before final installation.
- Place the mantle in position over the mounting boards and nail into position using an 8 penny finish nail. **Make sure that you keep the mantle tight against the wall when nailing into position.** (See figure.)
- *Helpful Hint: Drill pilot holes in each position on the mantle before nailing. This will insure that you don't damage the mantle when nailing into position.*
- Where the wall and the mantle meet, the wall may not be perfectly flat and some small gaps may appear. This is due to your wall having small waves and not the mantle. If this occurs, you can either trim this seam with a moulding (cove mould) or caulk and paint.



STEP 8: ADJUSTING FIREBOX

- You may need to slightly adjust the position of your firebox (forward or back) to even up the edge of your firebox with the flat edge of either the scribe moulding or the mantle legs.
- **NOTE:** For safety reasons, the flat edge of the mantle leg should not extend past the face of the firebox.
- Be aware of your gas line while you make these slight adjustments.