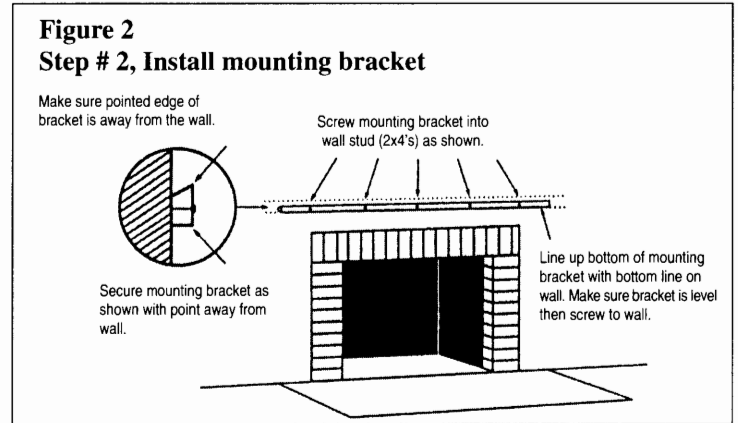
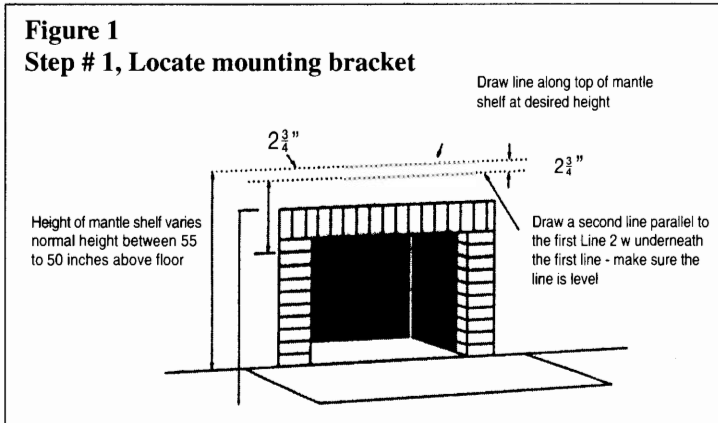


SHELF MANTLE INSTALLATION INSTRUCTIONS

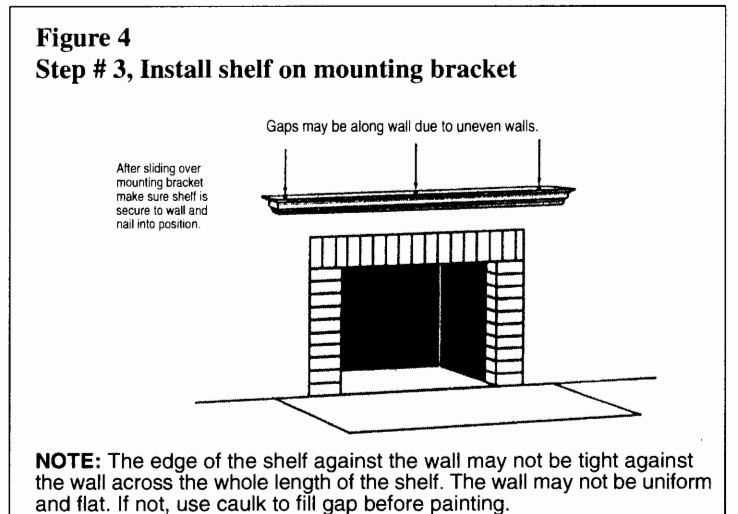
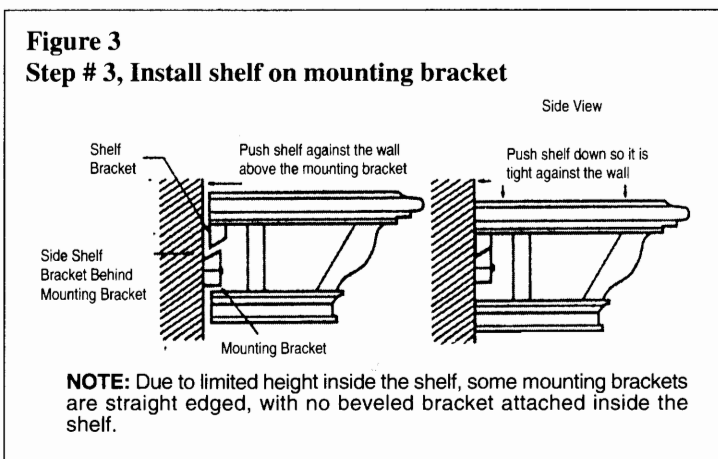
Step #1 Location of Shelf Mounting Bracket

Place the mantle shelf on the wall above your fireplace or on the wall at the desired height. Level the shelf and draw a line on the wall at the top of the shelf. Remove the mantle and measure down 2-3/4" from the line and draw a second line on the wall parallel to the first line. See FIG. 1.



Step #2 Attaching Mounting Bracket To The Wall

The shelf mounting bracket is a long, narrow wood strip with the top lengthwise edge angled down and away from the outside edge. For some shelves, such as the Concorde, the mounting bracket is square, not angled. See FIG. 2. Line up the bottom of the mounting bracket with the line and attach the mounting bracket to the wall in this position. Make sure mounting bracket is level. If you are mounting the bracket on a standard drywall over stud construction, make sure you screw the mounting bracket into the wood studs (2 x 4's) for strength. When attaching the shelf to a brick surface you must use a masonry lag bolt. Drill three holes in the mortar joints of the brick in the desired position. Insert lag and attach mounting bracket with a bolt. Make sure the mounting bracket is secure to the wall as shown in FIG. 2.



Step #3 Install Shelf On Mounting Bracket

Install shelf over mounting bracket and slide down until shelf is tight against the wall. For shelves with a square mounting bracket, push the shelf tight against the wall, with the square mounting bracket on the inside of the shelf cavity, then push down firmly on the shelf to insure that the bottom side of your shelf is resting firmly on top of the mounting bracket. When the shelf is in position, nail down through the top of the shelf into the mounting bracket, using eight penny finish nails. You may wish to pre-drill pilot holes before nailing. You may also wish to toenail through the top shelf into the wall to insure a tight fit. Make sure the shelf is level before nailing. See FIG. 3 and FIG. 4.

INTERCHANGEABLES INSTRUCTION MANUAL

Your Interchangeable Mantle opening is adjustable in width and height. The opening width can be reduced from 51 to 46 inches. The opening height can be adjusted from 42 to 38 inches. To properly adjust the mantle size, you will need a saw, phillips head screwdriver, and a hammer. Follow these simple instructions to make the adjustments. If you have any problems or questions, call us at 256-767-0195.

Step #1 Adjust Opening Width

Measure the fireplace facing width to determine the desired finished mantle opening width. Before cutting, the breast of the surround will make a finished opening 51 inches wide. If the opening required is smaller, simply cut off the amount necessary to make the opening the size needed. For example; You want your opening to be 48 inches wide. You need to cut off 51-48 or 3 inches. Cut 1-1/2 inches from each end of the mantle breast. See FIGS. 1 and 2. When cutting breast and breast trim, unscrew the breast trim from breast. Always cut an equal amount from each end of the breast and breast trim. For our example of 3 inches, you should trim 1-1/2 inches from each end of the breast and each end of the breast trim. After cutting to size, screw the breast trim to the mantle breast.

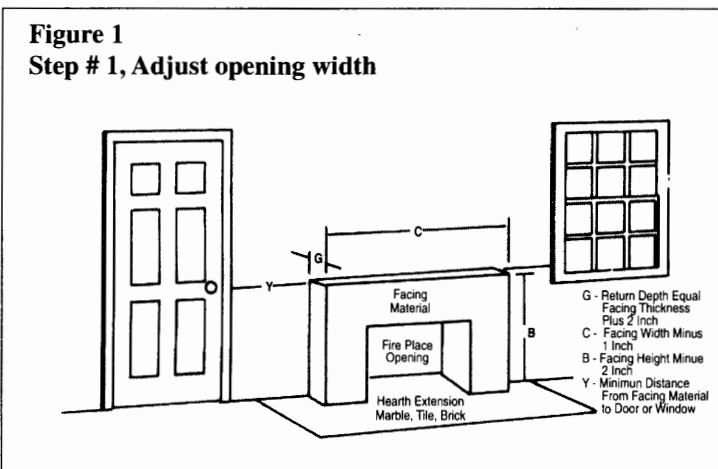
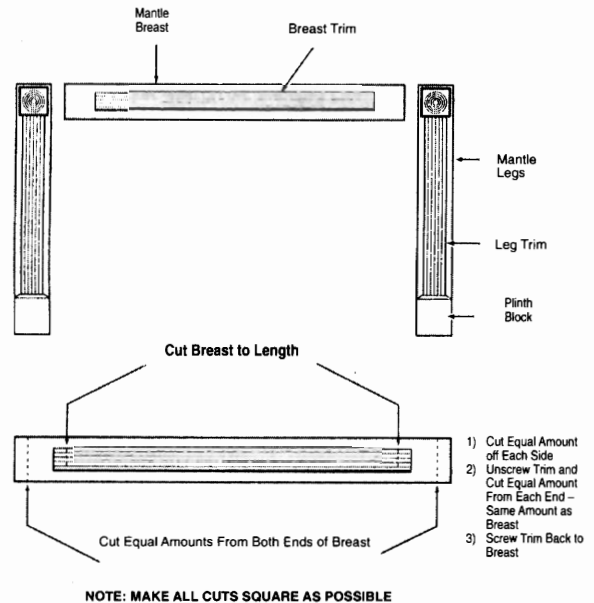


Figure 2
Cut mantle surround breast



Step #2 Adjust Opening Height

Measure the height of the fireplace facing to determine the desired mantle opening height. Before cutting, the opening height is 42 inches. Therefore, if you want an opening height of 39 inches, you should trim three inches from the mantle leg and leg trim. First unscrew the trim and bottom pinth block and remove the mantle leg. Measure from the bottom of the leg and cut to the desired length. Also cut the leg trim the same amount as the mantle leg. For example, if you want to reduce the opening to 39 inches, cut 3 inches from the mantle leg and three inches from the leg trim. Do not cut the pinth block. Screw the trim and pinth block in position on the mantle leg. See FIG. 3. You are now ready to assemble the legs to the mantle breast.

Figure 3
Step # 2, Adjust mantle opening height

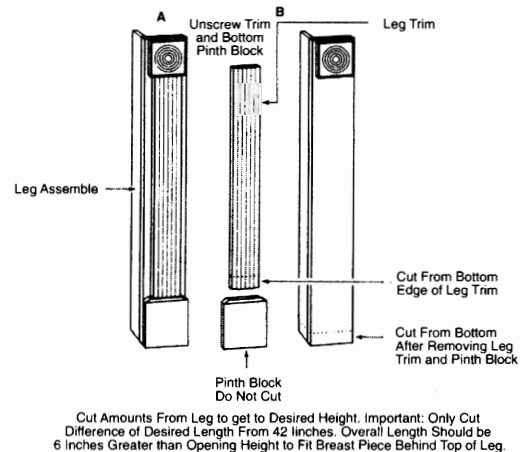
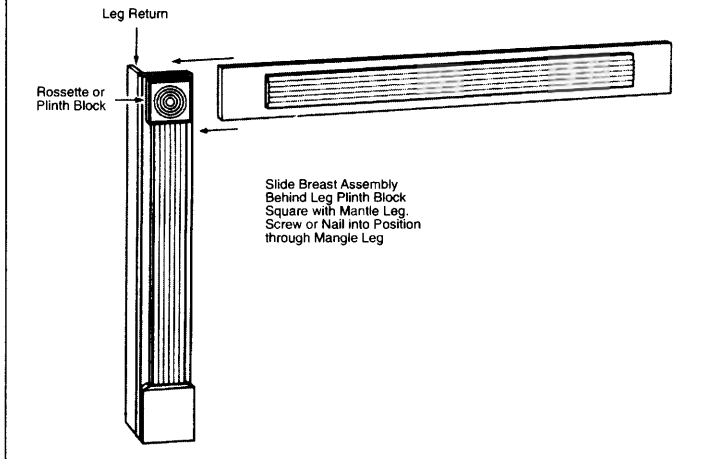


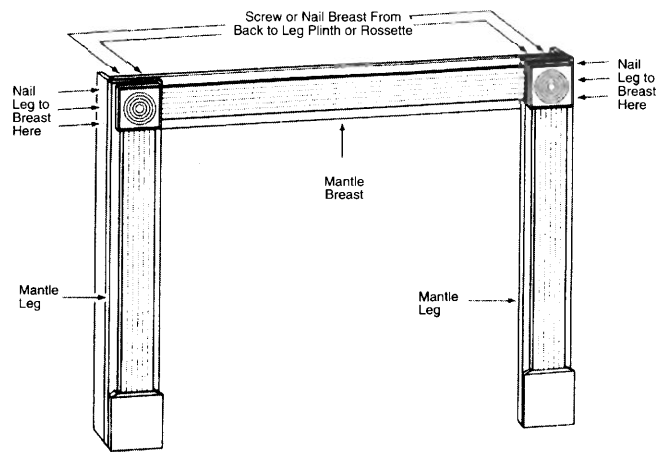
Figure 4
Step # 3, Assemble mantle legs to mantle breast



Step #3 Assemble Legs To Mantle Breast

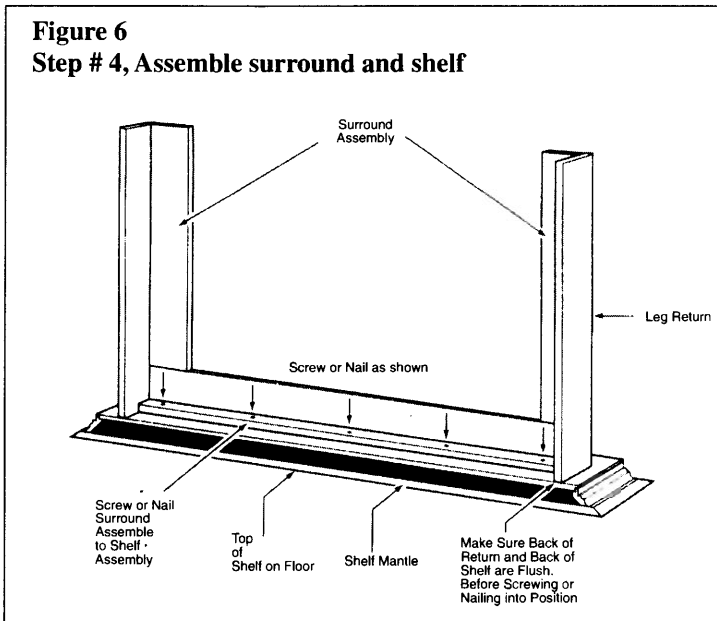
After you have assembled the mantle legs and have cut the breast to length, you are now ready to assemble the mantle surround. Slide the mantle breast behind the plinth block or rosette on the mantle leg. Make sure the leg is square with the breast and then screw or nail the breast from the back into the leg plinth block or rosette. Then nail through the side of the leg to the mantle breast. Repeat this procedure on the other side. See FIGS. 4 and 5.

Figure 5
Attach legs to breast plate assembly



NOTE: The opening will be 1/2 inch taller and 1 inch wider than finished dimension until scribe moulding is installed.

Figure 6
Step # 4, Assemble surround and shelf



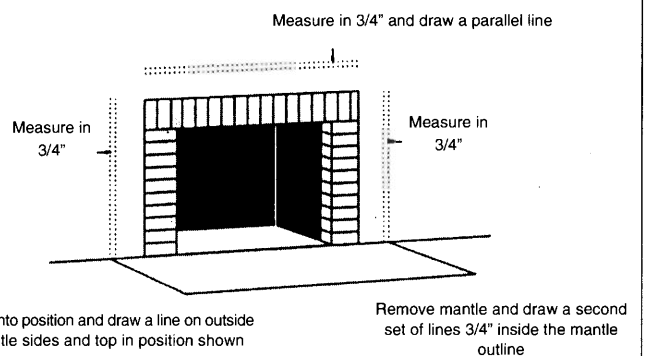
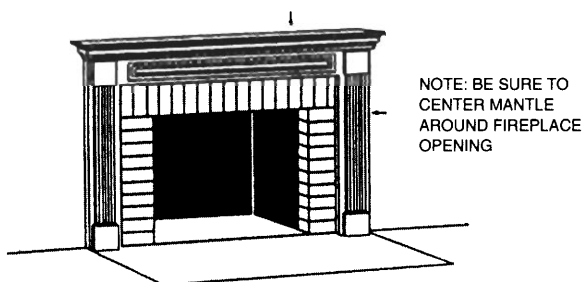
Step #4 Install Mantle

To install the mantle surround on the wall, first screw or nail the mantle surround to the mantle shelf as shown in FIG. 6. See FIG. 6. Place the shelf on the floor with the top down. Line up the back of the surround with the back edge of the shelf and center equal distance from each end of the shelf. Make sure that the leg returns are flush with the back edge of the mantle surround. Nail or screw into position.

Step #5 Mark Mantle Position On Wall

Once you've assembled the mantle legs to the mantle top assembly, turn the mantle over and place in position around the fireplace opening. Center the mantle and then draw the outline of the mantle top and sides on the wall. Remove the mantle and make a second set of lines 3/4 inch inside the mantle outline. These lines are the location of the outside edge of the mounting boards. **Mounting boards are not included with the mantle.** See Figure 7. Use 3/4" thick material, 1 x 2's or larger, for your mounting boards. The top mounting board should be one foot shorter than the length of the shelf.

Figure 7 **Step # 5, Mark mantle position on wall**



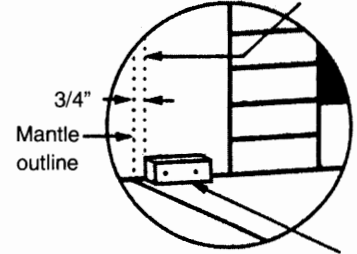
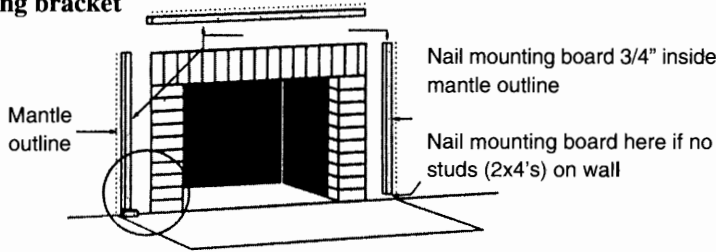
Step #6 Install Mounting Boards (mounting boards not included)

Once you've marked the position of the mounting boards on the wall, place the mounting boards so that the top edge of the top mounting board and the outside edge of the side mounting boards are on the inside edge of the second line that was drawn. Secure the mounting boards to the wall by nailing through the mounting boards into the wall studs. For the side mounting boards, if you are not lined up on a wall stud, cut the mounting board down to a small block, and secure block by nailing into the floor sill which is located at the bottom of the wall. See Figure 8.

Figure 8

Step # 2, Install mounting bracket

Nail mounting boards to wall on both sides for legs and across top for shelf assembly



If there are no studs on side boards, nail mounting board to wall as shown

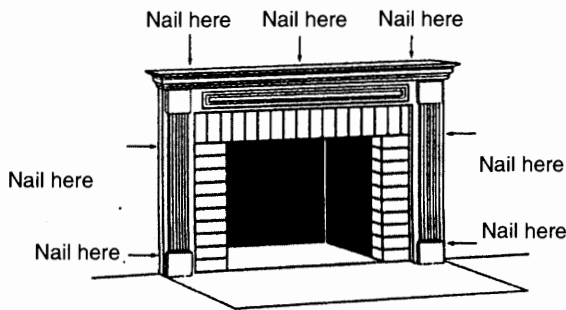
NOTE - MAKE SURE MOUNTING BOARDS ARE SECURELY FASTENED TO THE WALL

Step #7 Install The Mantle

Once your mounting boards are properly secured to the wall, you are ready to install your mantle. You may wish to paint or stain the mantle before final installation. Place the mantle in position over the mounting boards and nail into position using an 8 penny finish nail. **Make sure that you keep the mantle tight against the wall when nailing into position.** *Helpful Hint: You may want to drill pilot holes in each position on the mantle before nailing. This will insure that you don't damage the mantle when nailing into position.* Where the wall and the mantle meet the wall may not be perfectly flat and some small gaps may appear. Simply fill the gaps with caulk and paint and finish the mantle appropriately. See Figure 9.

Figure 9

Step # 4, Install mantle

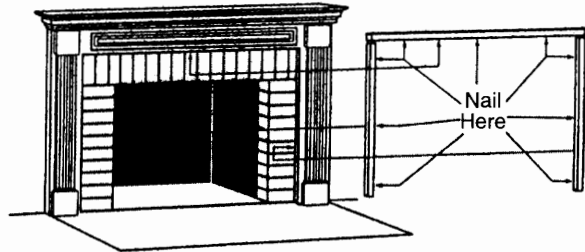


Nail the mantle into mounting boards in the positions shown

NOTE: MAKE SURE TO KEEP MANTLE TIGHT AGAINST WALL WHEN NAILING

Figure 10 Step # 5, Install scribe moulding

Install scribe moulding in positions shown



NOTE: MAKE SURE YOU KEEP SCRIBE TIGHT AGAINST FIREPLACE FACING MATERIAL.

Step #8 Install Inside Scribe Moulding

You should note that there will be a gap between the fireplace facing material (brick, tile, marble or slate) and the mantle legs. The mantle's inside scribe moulding is used to cover the gap between the mantle and the facing material. Put the scribe moulding into position and nail scribe moulding to the mantle leg. Make sure you keep pressure on the leg when nailing to keep the leg from coming off the mounting brackets. *Helpful Hint: Drill pilot holes in each scribe piece for nail positions.* See Figure 10.